

# Sundance® Spas 880 Cameo®

## Specifications

<b>Dimensions:</b> .....	89" x 89" x 37" (226 cm x 226 cm x 93.98 cm)
<b>Seating Capacity:</b> .....	5-6 Adults
<b>Dry Weight:</b> .....	889 lbs (403 kg)
<b>Filled Weight (Spa Volume):</b> .....	4,809 lbs (2,181 kg)
<b>Filled Weight (Average Fill):</b> .....	3,808 lbs (1,727 kg)
<b>Water Capacity (Spa Volume):</b> .....	470 US Gal (1,779 Liters)
<b>Water Capacity (Average Fill):</b> .....	350 US Gal (1,325 Liters)
<b>Controls:</b> .....	880 iTouch Interface LCD Control, Displays Temperature, Time, Cycles and Jet/Air System Control. Offers Customizing of Filtration Cycles, Lighting, Water Temperature Setting and other features
<b>Water Delivery:</b> .....	2 TheraMax High Flow Pumps and 8-Hour Dynamic Flow Circulation System
<b>Pump 1:</b> .....	North America (60 Hz): 1-Speed/2.5 HP Continuous, 11.3A Max., 56 Frame <b>Export (50 Hz): 1-Speed/2.0 HP Continuous, 7.0A Max.</b>
<b>Pump 2:</b> .....	North America (60 Hz): 1-Speed/2.5 HP Continuous, 11.3A Max., 56 Frame <b>Export (50 Hz): 1-Speed/2.0 HP Continuous, 7.0A Max.</b>
<b>Pump 3:</b> .....	High Output Dynamic Flow, 24-Hour programmable, factory default set to 8-Hour Filter/Circulation Pump (35 gpm) Programmable for Daily Start Time and Duration
<b>Total Hydrojets:</b> .....	<b>53</b>
<b>Seat A Jets:</b> .....	2 Fluidix Intelli-Jets, 1 Fluidix PT, 2 Accu-Pressure
<b>Seat B Jets:</b> .....	2 Vortex
<b>Seat C Jets:</b> .....	4 Fluidix Nex, 6 Fluidix ST, 2 Accu-Pressure, 2 Vortex, 8 Focus-Relief®
<b>Seat D Jets:</b> .....	1 Whirlpool Jet
<b>Seat E Jets:</b> .....	4 Fluidix Nex, 12 Fluidix ST, 4 Accu-Pressure
<b>Footwell Jets (F):</b> .....	3 Whirlpool
<b>Air Blower:</b> .....	High-Efficiency, 1-Speed
<b>Aromatherapy Delivery:</b> .....	6 Air Injector Jets with Quiet High Speed Air Pump
<b>Air Controls/Massage Selectors:</b> .....	5/2 (Standard air control with LED lights and massage selector with LED lights)
<b>Filter:</b> .....	MicroClean® Ultra II Filtration System, 130 ft² (2 interlocking cartridge filters)
<b>Water Treatment:</b> .....	Dynamic Flow Circulation System; Factory installed CLEARARRAY Active Oxygen™ Water System
<b>Lighting:</b> .....	Multi-Colored Sunglow LED Lighting System (1 Waterfall, 2 Underwater, 5 Air control, 2 Massage Selectors, 1 Backlit handrail, Exterior lights)
<b>Skirt Cabinet (SunSide™):</b> .....	Windy Oak, Ironwood and Flint Gray
<b>Shell Colors:</b> .....	North America: Platinum, Celestite (Gypsum), Monaco, Midnight, Porcelain <b>Export (50 Hz): All North America Colors</b>
<b>Handrails:</b> .....	One High Quality Stainless Steel with backlit LED lighting
<b>ComforTone Headrests:</b> .....	Three, 1-Piece Gray
<b>Heater:</b> .....	North America (60 Hz): Hi Flow 5.5 kW with Titanium Element <b>Export (50 Hz): Hi Flow 2.7 kW with Titanium Element</b>
<b>Electrical Requirements:</b> .....	North America (60 Hz): 240 VAC@40A, 50A or 60A; <b>Export (50 Hz): 230-240 VAC@1x32A or 1x16A/1x20A, 3x16A (see manual for more configurations); or Suitably Rated Circuit Breaker to Comply with Local Electrical Regulations. Certain Countries may Require 2 Power Inputs; Two GFCI/RCD Breakers are Required for This Configuration.</b>
<b>Limited Warranty*:</b> .....	North America (60 Hz): 10 Years Shell, 7 Years Shell Surface, 5 Years Plumbing Component Leaks, 5 Years Equipment and Controls, 5 Years Synthetic Cabinet, 5 Years Jets, 2 Years Lights, 1 Year Stereo <b>Export (50 Hz): 10 Years Shell, 7 Years Shell Surface, 5 Years Plumbing Component Leaks, 5 Years Equipment and Controls, 5 Years Synthetic Cabinet, 5 Years Jets, 2 Years Lights, 2 Years Stereo</b>
<b>Waterfall Feature:</b> .....	Adjustable Flow Rate; Colored Lighting
<b>Audio System (Optional):</b> .....	Factory Installed BLUEWAVE® 2.0 Wireless Spa Stereo System with Auxiliary 3.5 mm headphone jack connection, Bluetooth® compatible, 2 premium speakers and a powered subwoofer
<b>Special Features:</b> .....	MicroClean® Plus Versatile Filter Lid, <b>Optional</b> (Factory Installed) SmartTub® Module, <b>Optional</b> Inductive Charger

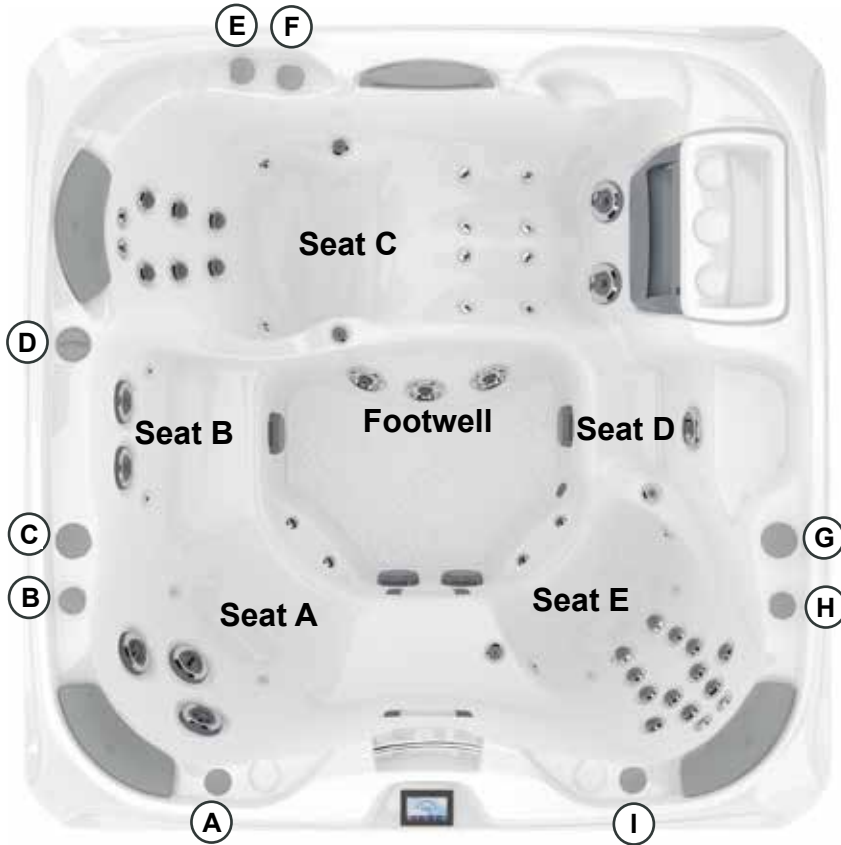


\*(See Warranty Document for Specific Details)

Dimensions/Specifications Subject To Change Without Notice

# Sundance Spas 880 Cameo

## Operation/Seat Depths



- (A)** Air Control - Activates Seat A Jets (2 Fluidix Intelli Jets, 1 Fluidix PT, 2 Accu-Pressure) and Seat D Jet (1 Whirlpool)
- (B)** Air Control - Activates the Footwell Jets (3 Whirlpool)
- (C)** Massage Selector [Pump 2] - Adjusts Massage Level Between Seat A Jets and Seat C Jets
- (D)** Sunscents Dispenser
- (E)** Air Control - Activates Seat C Jets (4 Fluidix Nex, 6 Fluidix Reflex, 2 Accu-Pressure, 2 Vortex)
- (F)** Waterfall Selector [8-Hour Circ. Pump] - Controls Waterfall Output
- (G)** Massage Selector [Pump 1] - Adjusts Massage Level Between Seat B Jets + Seat E Jets and Footwell Jets
- (H)** Activates Upper 10 Seat E Jets (2 Fluidix Nex, 8 Fluidix ST)
- (I)** Air Control - Activates Seat B Jets (2 Vortex) and Lower 8 Seat E Jets (4 Fluidix ST, 2 Fluidix Nex, 4 Accu-Pressure)

### 53 Total Jets



- Focus-Relief Jets: Work with both the blower and Jets Pump 2. The blower introduces air to the jet and the Jets Pump forces water through.

Spa Operation Subject To Change Without Notice

## SEAT DEPTHS

- A = 26.00" (66.04 cm)**
- B = 21.25" (53.98 cm)**
- C = 26.00" (66.04 cm)**
- D = 22.00" (55.88 cm)**
- E = 21.00" (53.34 cm)**
- F = 28.00" (71.12 cm)**

- G = 17.00" (43.18 cm)**
- H = 32.50" (82.55 cm)**

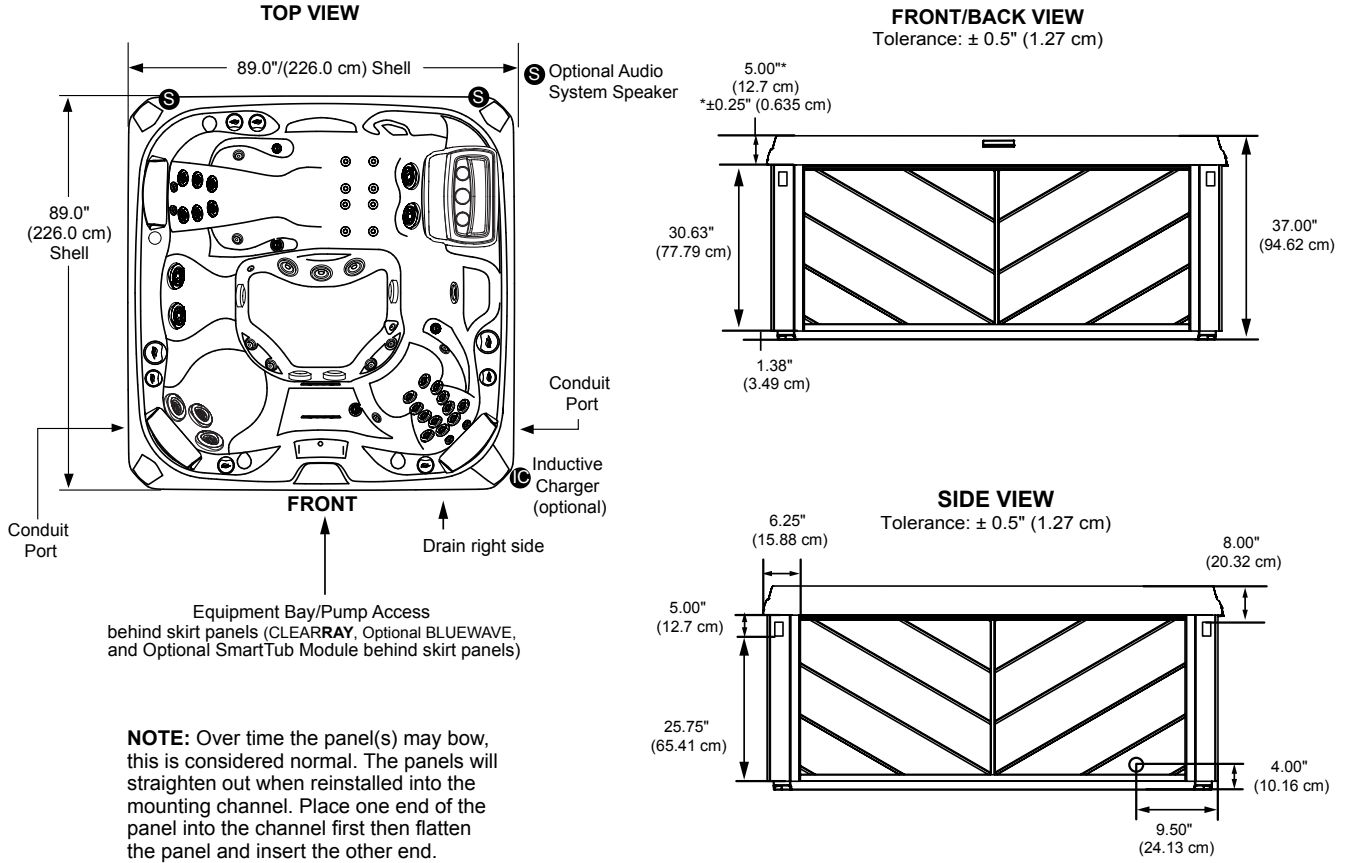
Listed dimensions represent distance from top of acrylic to lowest point in seat. **Tolerance ± 0.5" (1.27 cm).**



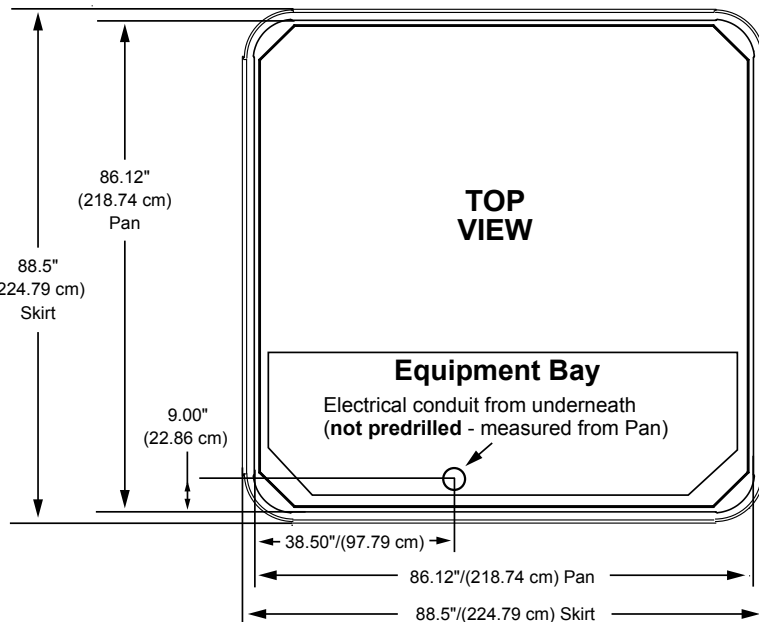
Dimensions/Specifications Subject To Change Without Notice

# Sundance Spas 880 Cameo

## Portable Dimensions



**IMPORTANT! Always measure each hot tub for exact dimensions BEFORE designing its foundational support and/or decking.**



Dimensions/specifications subject to change without notice. Tolerance: ± 0.5" (1.27 cm)

Dimensions/Specifications Subject To Change Without Notice